



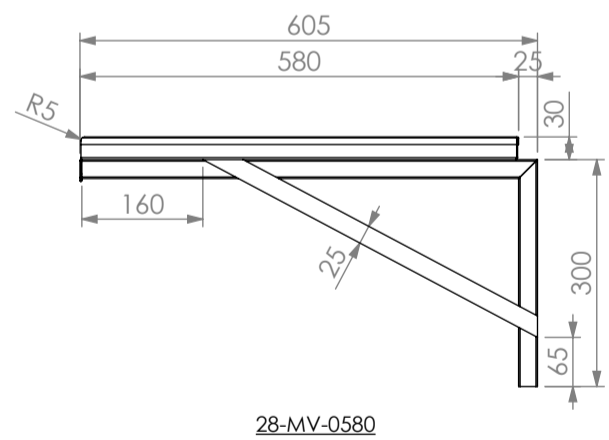
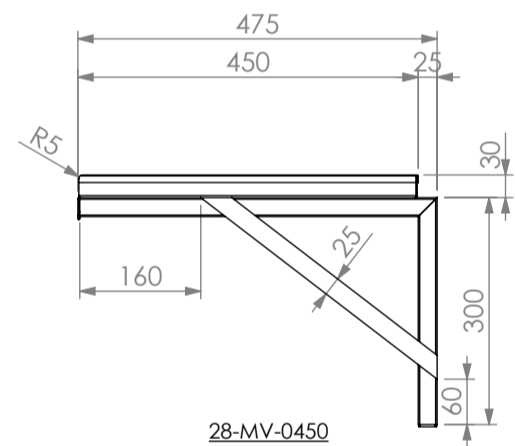
SIMPLY STAINLESS

Modular Sinks, Tables & Shelving



*WALL MOUNTING BRACKETS CAN BE REVERSED SUBJECT TO SITE REQUIREMENTS.

SPECIFICATION	
Tops	<ul style="list-style-type: none"> - High quality stainless steel. - 1.2mm gauge, no. 4 Finnish. - Safety edge all around.
Frames	<ul style="list-style-type: none"> - 25mm square tube stainless steel. - 3mm Stainless flat bar. - Pre drilled holes.



28	Microwave Shelf		
	Product Code	Dimensions (mm)	Unit weight (Kg)
	28-MW-0450	600x475x330	5.77
	28-MW-0580	600x605x330	7.08